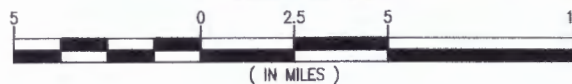


VICINITY MAP



SAN PATRICIO COUNTY
 LAT. 27° 49' 16.48"
 LONG. 97° 12' 40.17"



AREA MAP

GENERAL NOTES:

1. STRUCTURES SHALL BE MARKED IN ACCORDANCE WITH USCG REGULATIONS.
2. ALL ELEVATIONS REFER TO MLLW UNLESS NOTED OTHERWISE.

Applicant: Moda Ingleside Oil Terminal, LLC
Agent: Belaire Environmental, Inc

Albert R. Favolora, III P.E.
 TX P.E. Number 131433

PRELIMINARY - FOR PERMIT PURPOSES ONLY

REV
 A



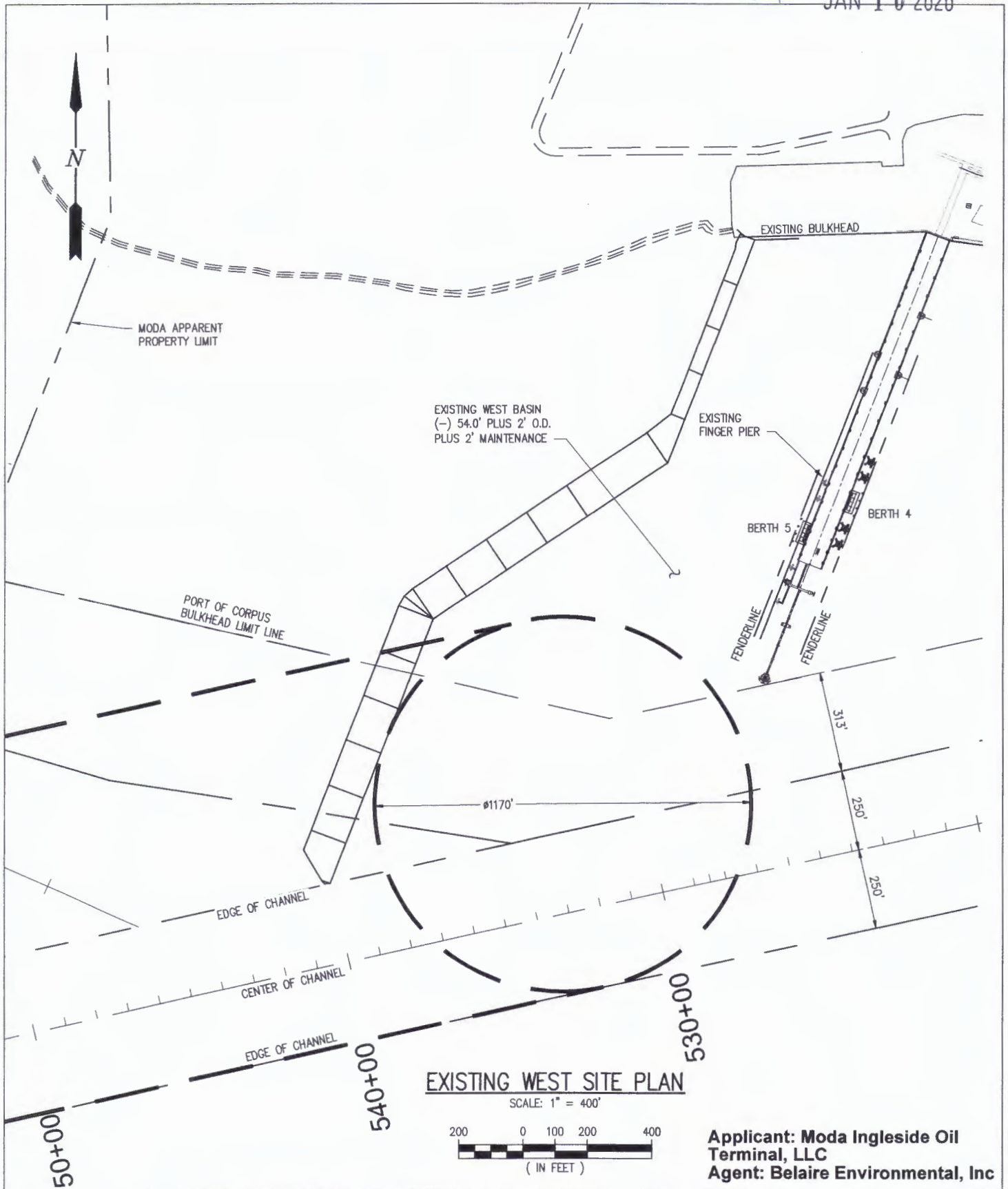
LANIER & ASSOCIATES
 CONSULTING ENGINEERS
 INCORPORATED

LA: C-1120 TX: F-2981
 NEW ORLEANS, LA • BEAUMONT, TX

INGLESIDE MODA MIDSTREAM, LLC. TEXAS

MODA INGLESIDE ENERGY CENTER
BERTH 7/8/9 EXPANSION
VICINITY MAP

DATE SEPT. 2019
 DESIGN ARF
 DRAWN MEW
 CHECK JEJ
 JOB NO 10870
 SHEET No.
 1 OF 23



EXISTING WEST SITE PLAN

SCALE: 1" = 400'



Applicant: **Moda Ingleside Oil Terminal, LLC**
 Agent: **Belaire Environmental, Inc**

Albert R. Favolora, III P.E.
 TX P.E. Number 131433

PRELIMINARY - FOR PERMIT PURPOSES ONLY

REV
A



LANIER & ASSOCIATES
 CONSULTING ENGINEERS
 INCORPORATED

LA: C-1120 TX: F-2981
 NEW ORLEANS, LA • BEAUMONT, TX

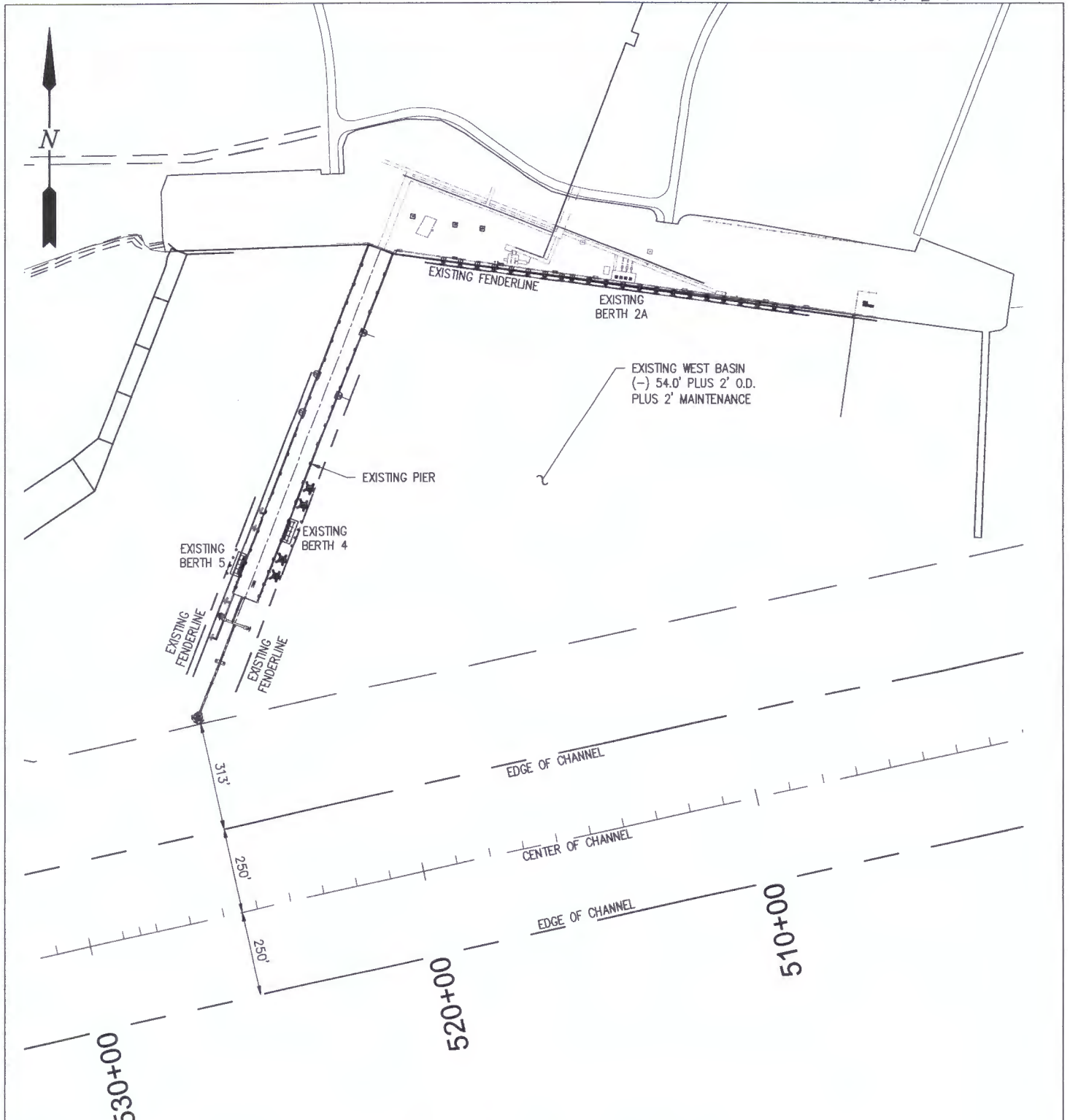
MODA MIDSTREAM, LLC.

INGLESIDE

TEXAS

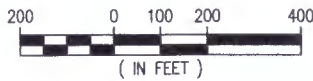
**MODA INGLESIDE ENERGY CENTER
 BERTH 7/8/9 EXPANSION
 EXISTING WEST SITE PLAN**

DATE: SEPT. 2019
 DESIGN: ARF
 DRAWN: MEW
 CHECK: JEJ
 JOB NO: 10870
 SHEET No.
 2 OF 23



EXISTING EAST SITE PLAN

SCALE: 1" = 400'



Applicant: Moda Ingleside Oil Terminal, LLC
Agent: Belaire Environmental, Inc

J:\10000S\10870 MODA GOMEZ INGLESIDE DRAWINGS\PERMIT\BERTH 7-8-9 PERMIT\10870-F3.DWG

Albert R. Favolora, III P.E.
 TX P.E. Number 131433

PRELIMINARY - FOR PERMIT PURPOSES ONLY

REV
 A



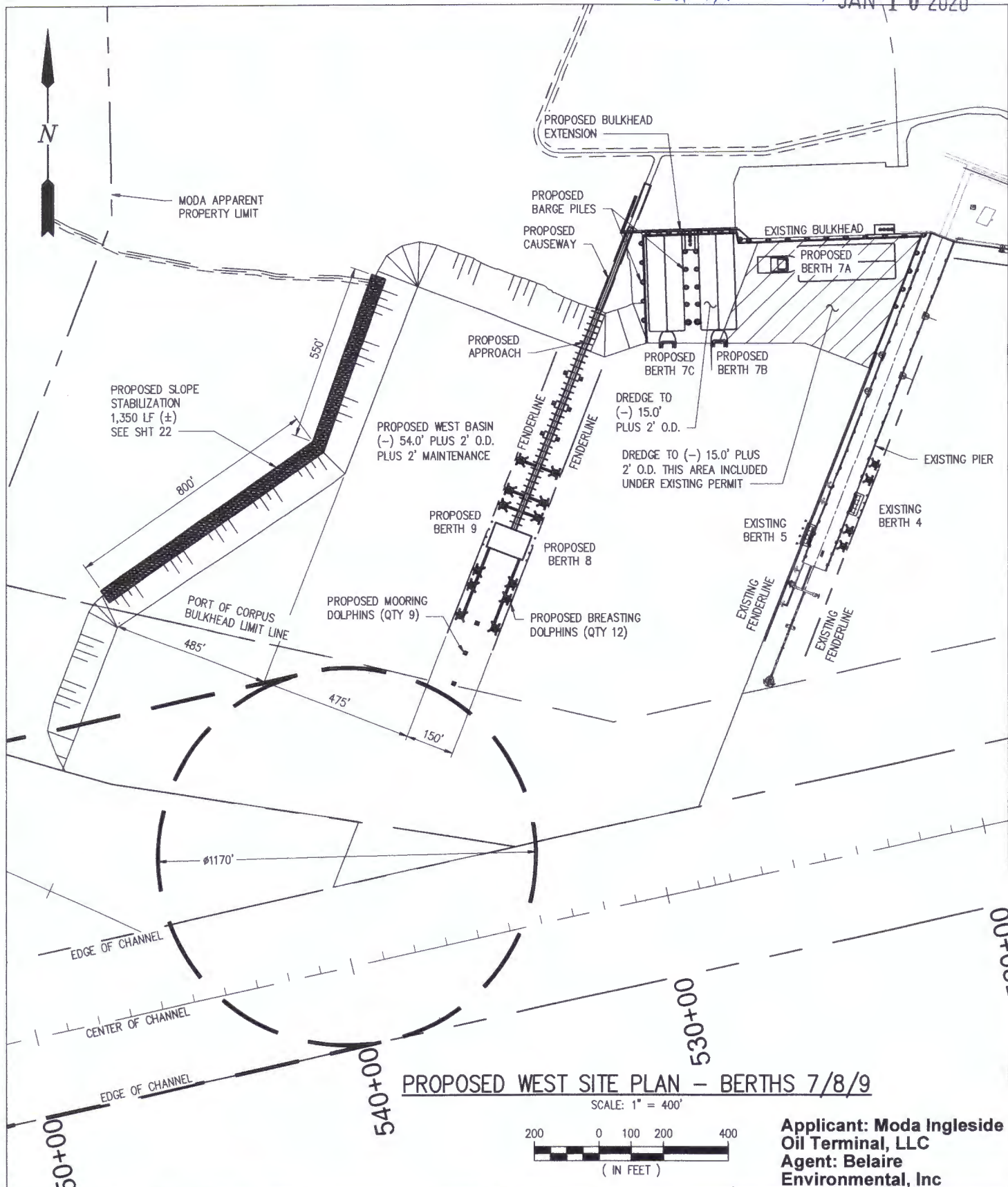
LANIER & ASSOCIATES
 CONSULTING ENGINEERS
 INCORPORATED.

LA: C-1120 TX: F-2981
 NEW ORLEANS, LA • BEAUMONT, TX

MODA MIDSTREAM, LLC.
 INGLESIDE TEXAS

MODA INGLESIDE ENERGY CENTER
BERTH 2A
EXISTING EAST SITE PLAN

DATE SEPT. 2019
 DESIGN ARF
 DRAWN MEW
 CHECK JEJ
 JOB NO 10870
 SHEET No.
3 OF 23



PROPOSED WEST SITE PLAN - BERTHS 7/8/9

SCALE: 1" = 400'



Applicant: Moda Ingleside Oil Terminal, LLC
Agent: Belaire Environmental, Inc

Albert R. Favolora, III P.E.
 TX P.E. Number 131433

PRELIMINARY - FOR PERMIT PURPOSES ONLY

REV A



LANIER & ASSOCIATES
 CONSULTING ENGINEERS
 INCORPORATED

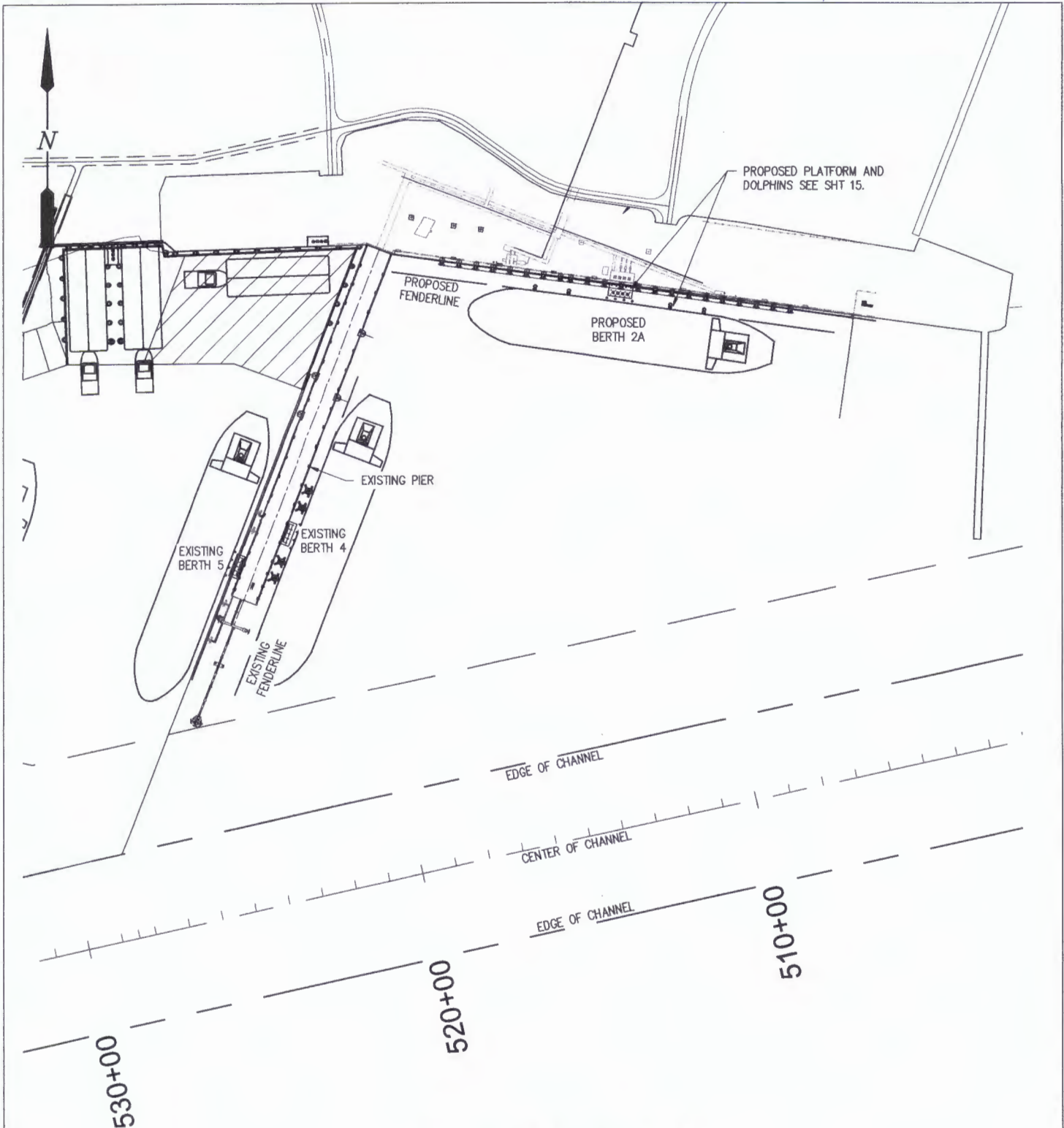
LA: C-1120 TX: F-2981
 NEW ORLEANS, LA • BEAUMONT, TX

INGLESIDE **MODA MIDSTREAM, LLC.** TEXAS

MODA INGLESIDE ENERGY CENTER
BERTHS 7/8/9
PROPOSED WEST SITE PLAN

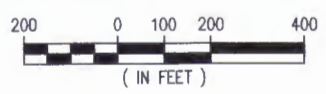
DATE	SEPT. 2019
DESIGN	ARF
DRAWN	MEW
CHECK	JEJ
JOB NO.	10870
SHEET No.	4 OF 23

J:\10000S\10870 MODA INGLESIDE\DRAWINGS\PERMIT\BERTH 7-8-9 PERMIT\10870-P4.DWG



PROPOSED EAST SITE PLAN

SCALE: 1" = 400'



Applicant: Moda Ingleside Oil Terminal, LLC
Agent: Belaire Environmental, Inc

J:\100005\10870 MODA GOMEZ INGLESIDE\DRAWINGS\PERMIT\BERTH 7-8-9 PERMIT\10870-P5.DWG

Albert R. Favoloro, III P.E.
 TX P.E. Number 131433

PRELIMINARY - FOR PERMIT PURPOSES ONLY

REV
A



LANIER & ASSOCIATES
 CONSULTING ENGINEERS
 INCORPORATED

LA: C-1120 TX: F-2981
 NEW ORLEANS, LA • BEAUMONT, TX

MODA MIDSTREAM, LLC.
 INGLESIDE TEXAS

MODA INGLESIDE ENERGY CENTER
BERTHS 7/8/9
PROPOSED EAST SITE PLAN

DATE	SEPT. 2019
DESIGN	ARF
DRAWN	MEW
CHECK	JEJ
JOB NO.	10870
SHEET No.	5 OF 23

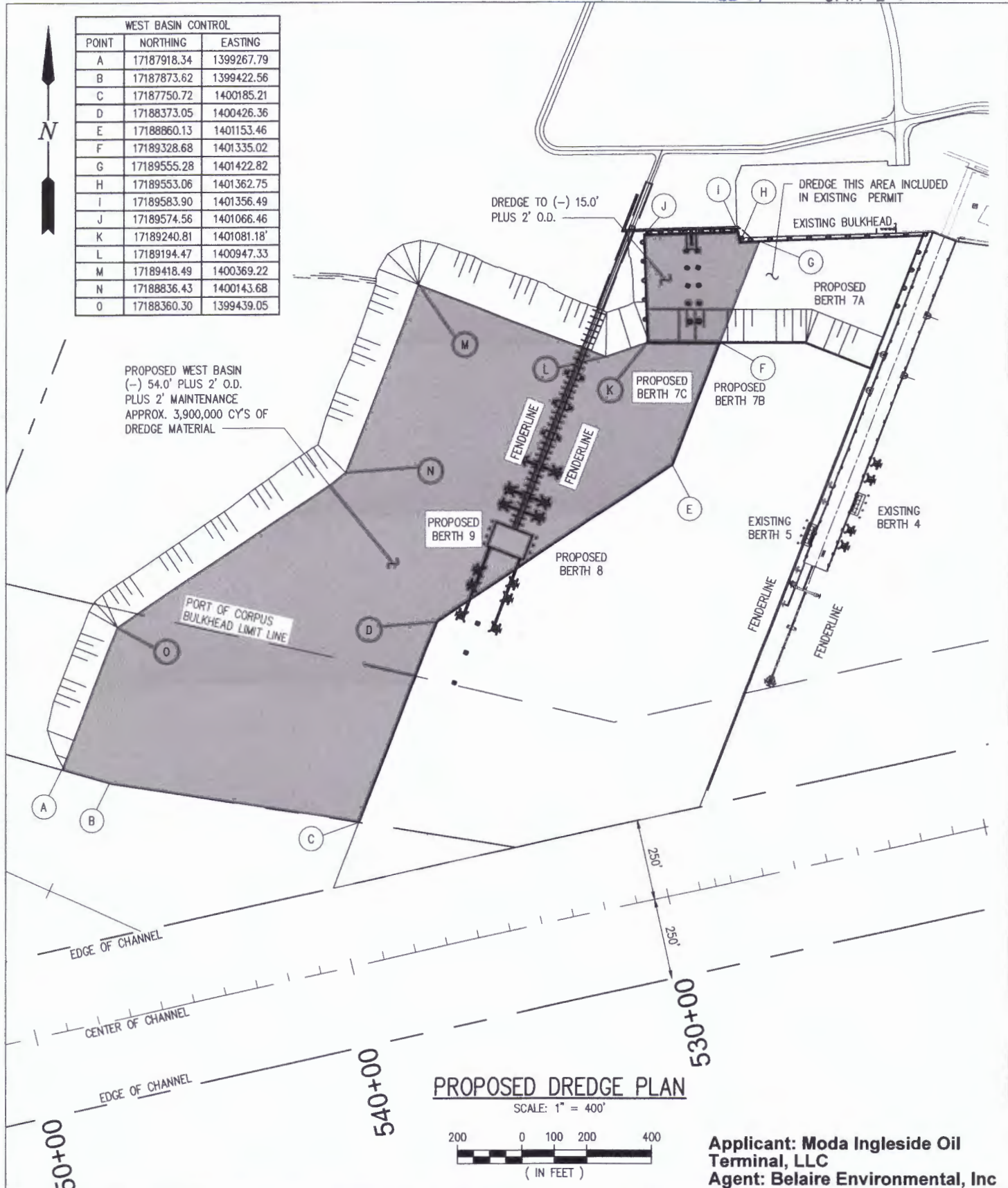
WEST BASIN CONTROL		
POINT	NORTHING	EASTING
A	17187918.34	1399267.79
B	17187873.62	1399422.56
C	17187750.72	1400185.21
D	17188373.05	1400426.36
E	17188860.13	1401153.46
F	17189328.68	1401335.02
G	17189555.28	1401422.82
H	17189553.06	1401362.75
I	17189583.90	1401356.49
J	17189574.56	1401066.46
K	17189240.81	1401081.18
L	17189194.47	1400947.33
M	17189418.49	1400369.22
N	17188836.43	1400143.68
O	17188360.30	1399439.05



PROPOSED WEST BASIN
 (-) 54.0' PLUS 2' O.D.
 PLUS 2' MAINTENANCE
 APPROX. 3,900,000 CY'S OF
 DREDGE MATERIAL

DREDGE TO (-) 15.0'
 PLUS 2' O.D.

DREDGE THIS AREA INCLUDED
 IN EXISTING PERMIT
 EXISTING BULKHEAD



PROPOSED DREDGE PLAN

SCALE: 1" = 400'



Applicant: Moda Ingleside Oil Terminal, LLC
Agent: Belaire Environmental, Inc

Albert R. Favolora, III P.E.
 TX P.E. Number 131433

PRELIMINARY - FOR PERMIT PURPOSES ONLY

REV
 A



LANIER & ASSOCIATES
 CONSULTING ENGINEERS
 INCORPORATED

LA: C-1120 TX: F-2981
 NEW ORLEANS, LA • BEAUMONT, TX

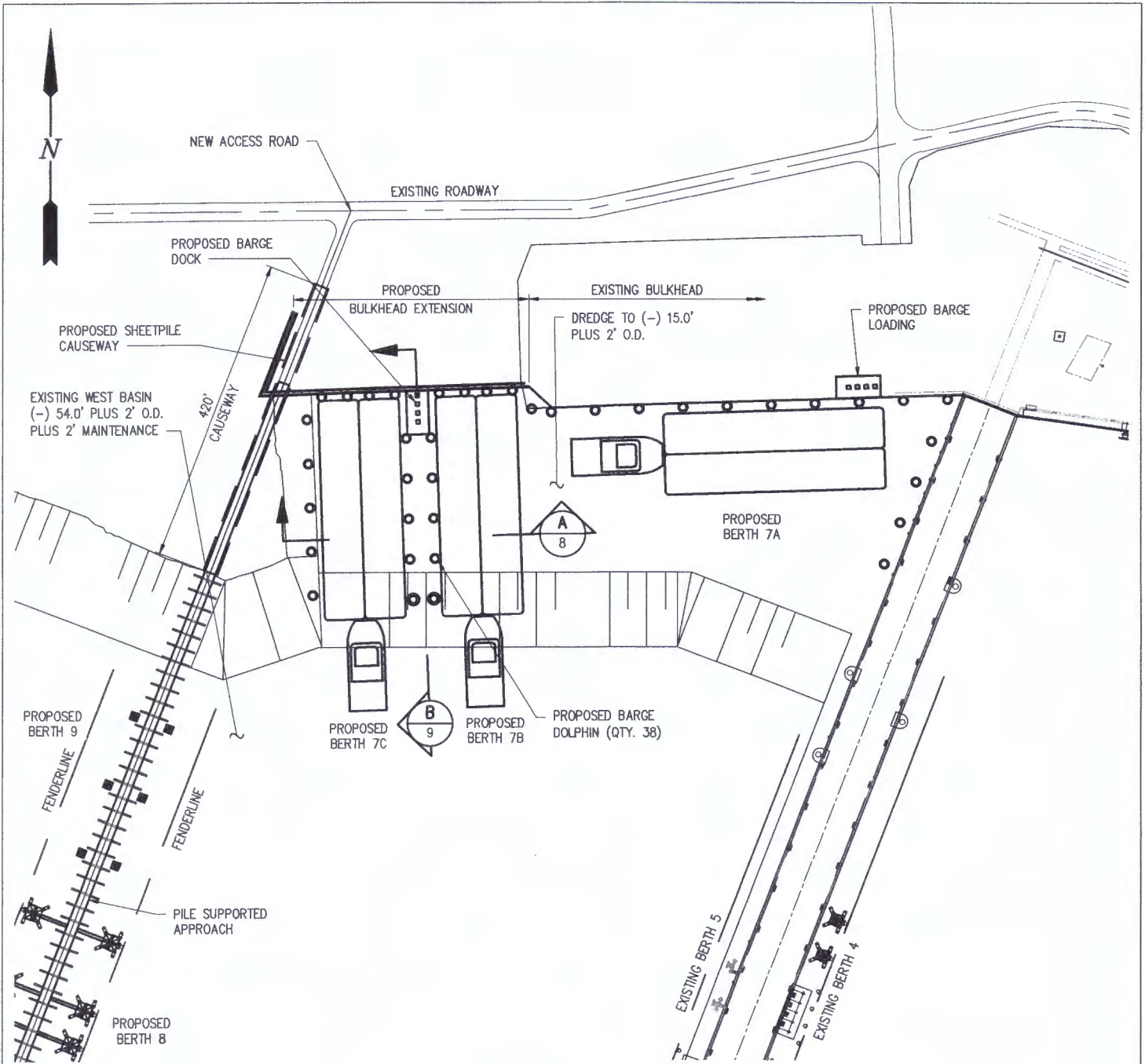
MODA MIDSTREAM, LLC.

INGLESIDE

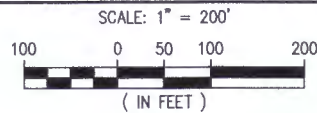
TEXAS

MODA INGLESIDE ENERGY CENTER
BERTH 7/8/9 EXPANSION
PROPOSED DREDGE PLAN

DATE SEPT. 2019
 DESIGN ARF
 DRAWN MEW
 CHECK JEJ
 JOB NO 10870
 SHEET No.
6 OF 23



PROPOSED BERTH 7 ENLARGED PLAN



Applicant: Moda Ingleside Oil Terminal, LLC
Agent: Belaire Environmental, Inc

Albert R. Favolora, III P.E.
 TX P.E. Number 131433

PRELIMINARY - FOR PERMIT PURPOSES ONLY

REV
A



LANIER & ASSOCIATES
 CONSULTING ENGINEERS
 INCORPORATED

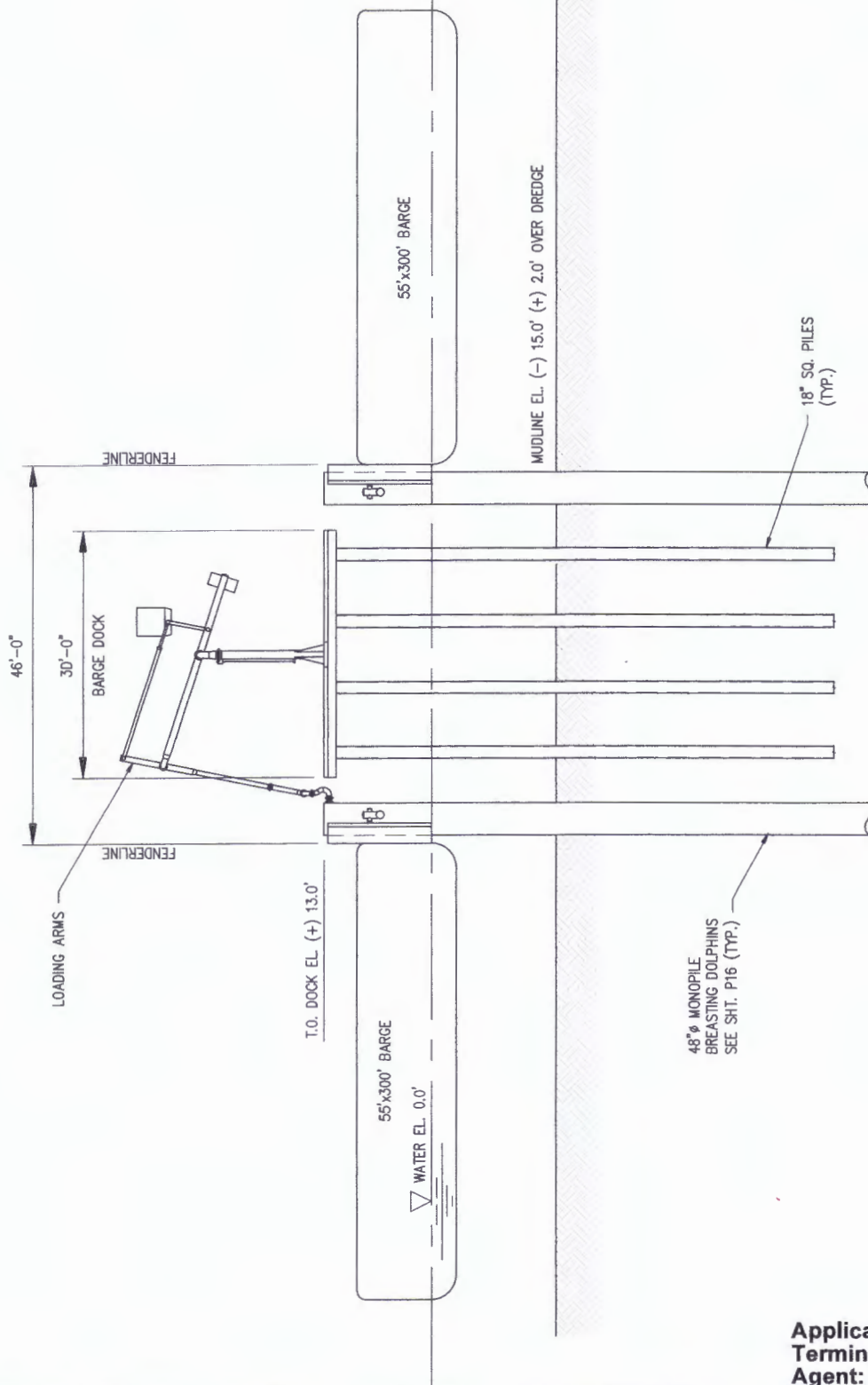
LA: C-1120 TX: F-2981
 NEW ORLEANS, LA • BEAUMONT, TX

INGLESIDE **MODA MIDSTREAM, LLC.** TEXAS

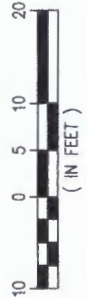
MODA INGLESIDE ENERGY CENTER
BERTH 7/8/9 EXPANSION
PROPOSED BERTH 7 ENLARGED PLAN

DATE SEPT. 2019
 DESIGN ARF
 DRAWN MEW
 CHECK JEJ
 JOB NO 10870
 SHEET No.
 7 OF 23

J:\100005\10870 MODA GOMEZ INGLESIDE\DRAWINGS\PERMIT\BERTH 7-8-9 PERMIT\10870-P7.DWG



BERTH 7 SECTION
 SCALE: 1" = 20'
 A
 6



Applicant: Moda Ingleside Oil Terminal, LLC
Agent: Belaire Environmental, Inc

Albert R. Favalora, III P.E.
 TX P.E. Number 131433

PRELIMINARY - FOR PERMIT PURPOSES ONLY

REV
 A



LANIER & ASSOCIATES
 CONSULTING ENGINEERS
 INCORPORATED

LA: C-1120 TX: F-2981
 NEW ORLEANS, LA • BEAUMONT, TX

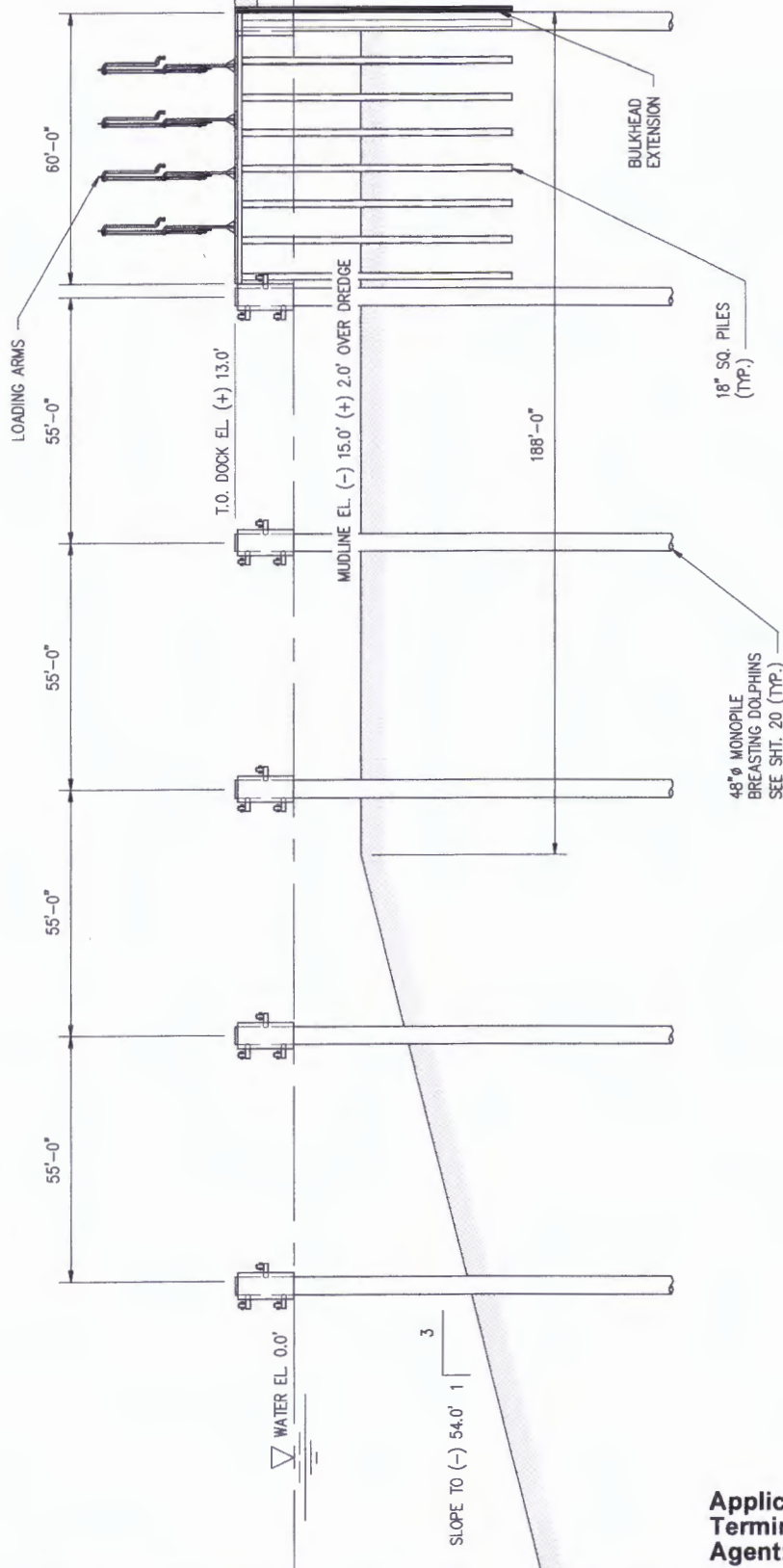
MODA MIDSTREAM, LLC.

INGLESIDE

TEXAS

MODA INGLESIDE ENERGY CENTER
BERTH 7/8/9 EXPANSION
BERTH 7 SECTION

DATE SEPT. 2019
 DESIGN ARF
 DRAWN MEW
 CHECK JEJ
 JOB NO. 10870
 SHEET No.
8 OF 23



BERTH 7 ELEVATION B
 SCALE: 1" = 40'



Applicant: Moda Ingleside Oil Terminal, LLC
Agent: Belaire Environmental, Inc

Albert R. Favalora, III P.E.
 TX P.E. Number 131433

PRELIMINARY - FOR PERMIT PURPOSES ONLY

REV
A

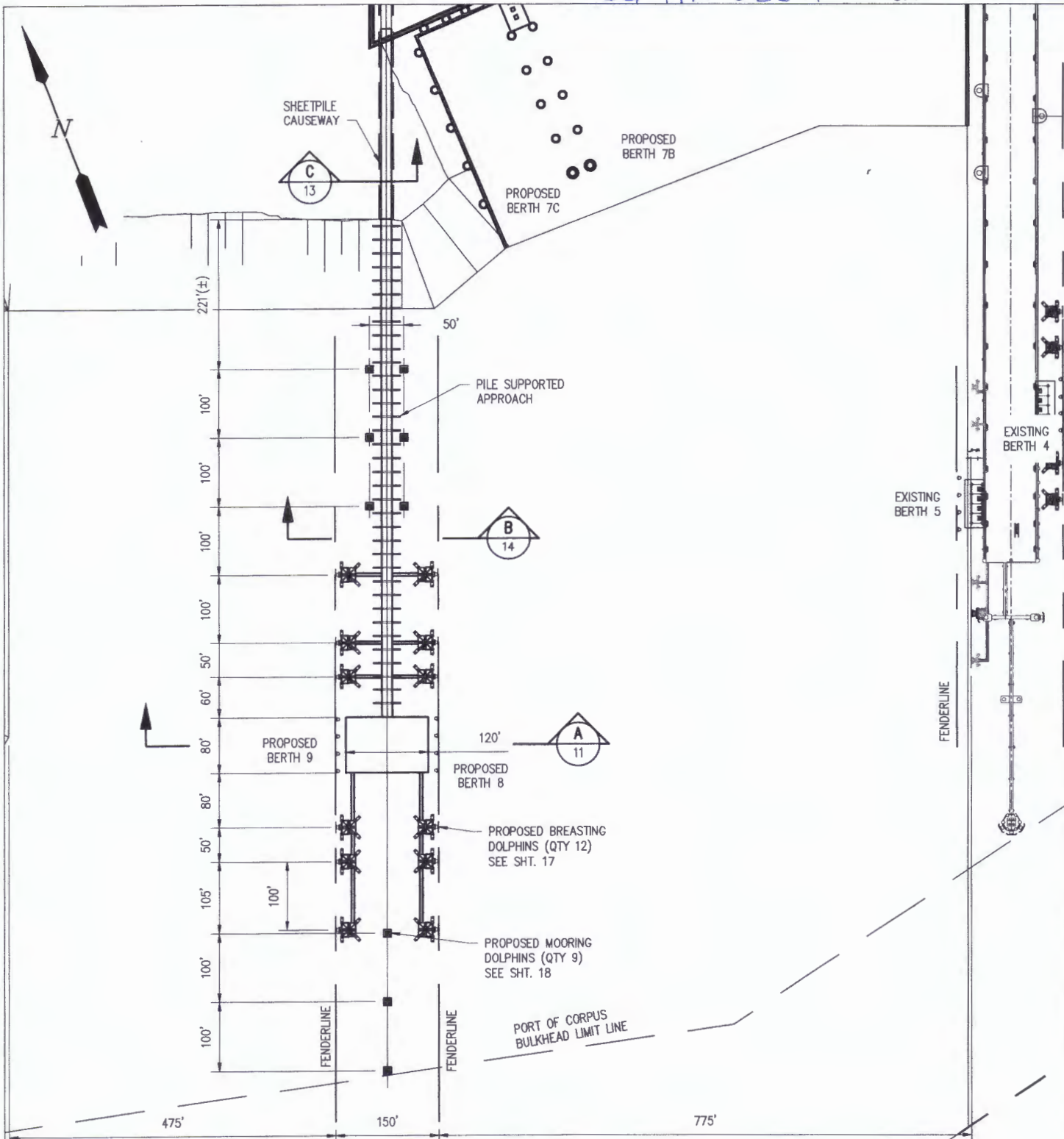


LANIER & ASSOCIATES
 CONSULTING ENGINEERS
 INCORPORATED

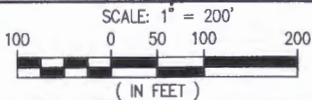
LA: C-1120 TX: F-2981
 NEW ORLEANS, LA • BEAUMONT, TX

MODA MIDSTREAM, LLC.	
INGLESIDE	TEXAS
MODA INGLESIDE ENERGY CENTER	
BERTH 7/8/9 EXPANSION	
BERTH 7 SECTION	

DATE	SEPT. 2019
DESIGN	ARF
DRAWN	MEW
CHECK	JEJ
JOB NO.	10870
SHEET No.	9 OF 23



PROPOSED BERTH 8/9 ENLARGED PLAN



Applicant: Moda Ingleside Oil Terminal, LLC
Agent: Belaire Environmental, Inc

Albert R. Favalora, III P.E.
 TX P.E. Number 131433

PRELIMINARY - FOR PERMIT PURPOSES ONLY

REV A



LANIER & ASSOCIATES
 CONSULTING ENGINEERS
 INCORPORATED

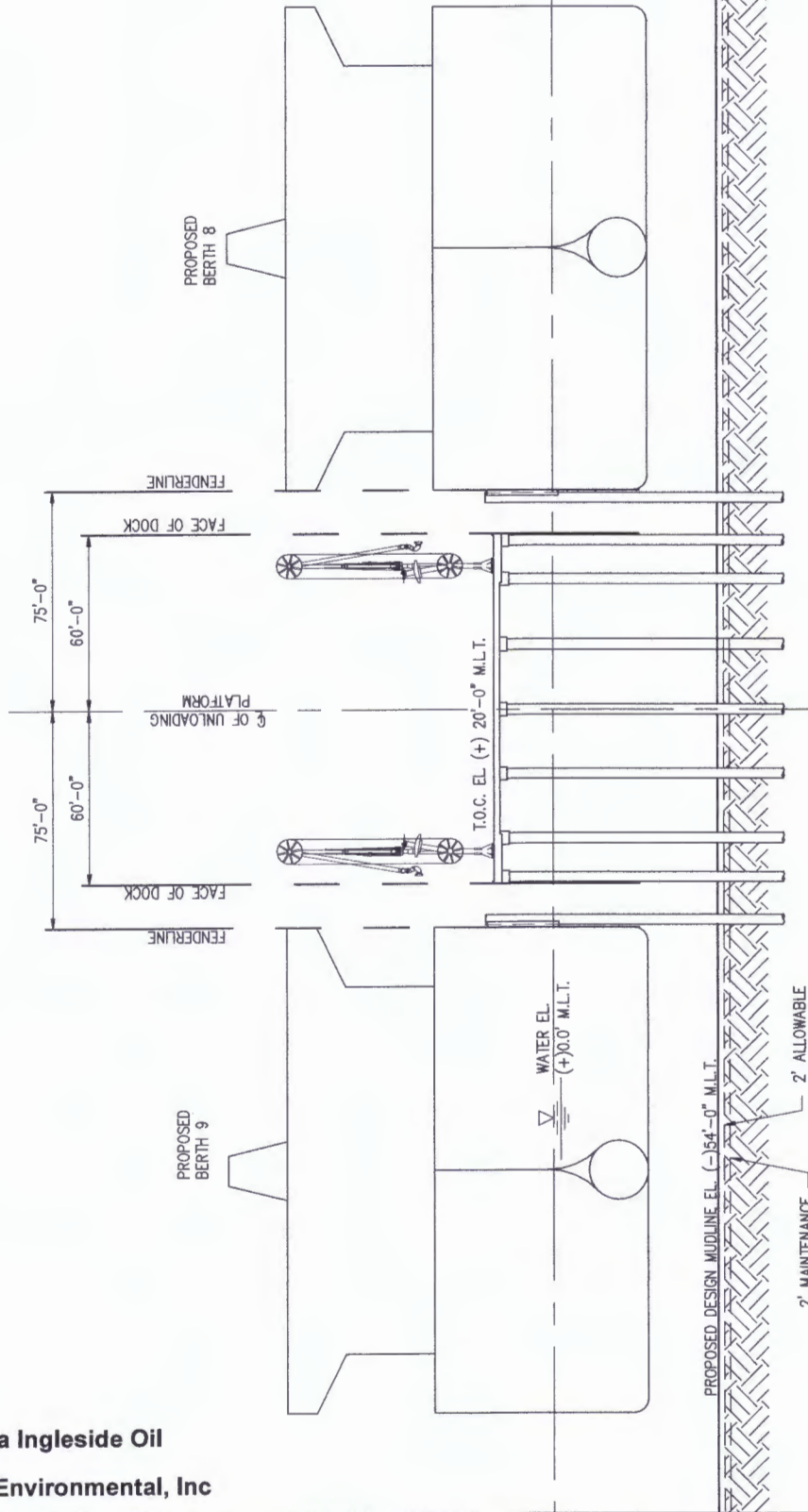
LA: C-1120 TX: F-2981
 NEW ORLEANS, LA • BEAUMONT, TX

MODA MIDSTREAM, LLC.
 INGLESIDE TEXAS

MODA INGLESIDE ENERGY CENTER
BERTH 7/8/9 EXPANSION
PROPOSED BERTH 8/9 ENLARGED PLAN

DATE SEPT. 2019
 DESIGN ARF
 DRAWN MEW
 CHECK JEJ
 JOB NO 10870
 SHEET No.
 10 OF 23

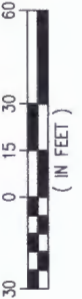
J:\100005\10870 MODA GOMEZ INGLESIDE\DRAWINGS\PERMIT\BERTH 7-8-9 PERMIT\10870-P10.DWG



A
10

BERTH 8/9 SECTION

SCALE: 1" = 60'



Applicant: Moda Ingleside Oil Terminal, LLC
Agent: Belaire Environmental, Inc

Albert R. Favalora, III P.E.
 TX P.E. Number 131433

PRELIMINARY - FOR PERMIT PURPOSES ONLY

REV
A

LANIER & ASSOCIATES
 CONSULTING ENGINEERS
 INCORPORATED

LA: C-1120 TX: F-2981
 NEW ORLEANS, LA • BEAUMONT, TX

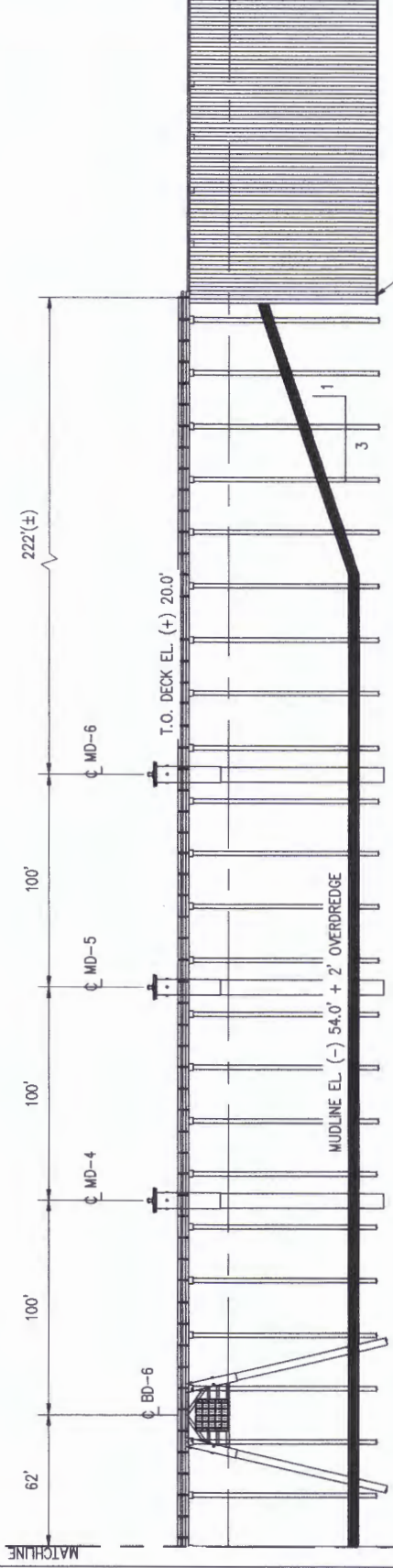
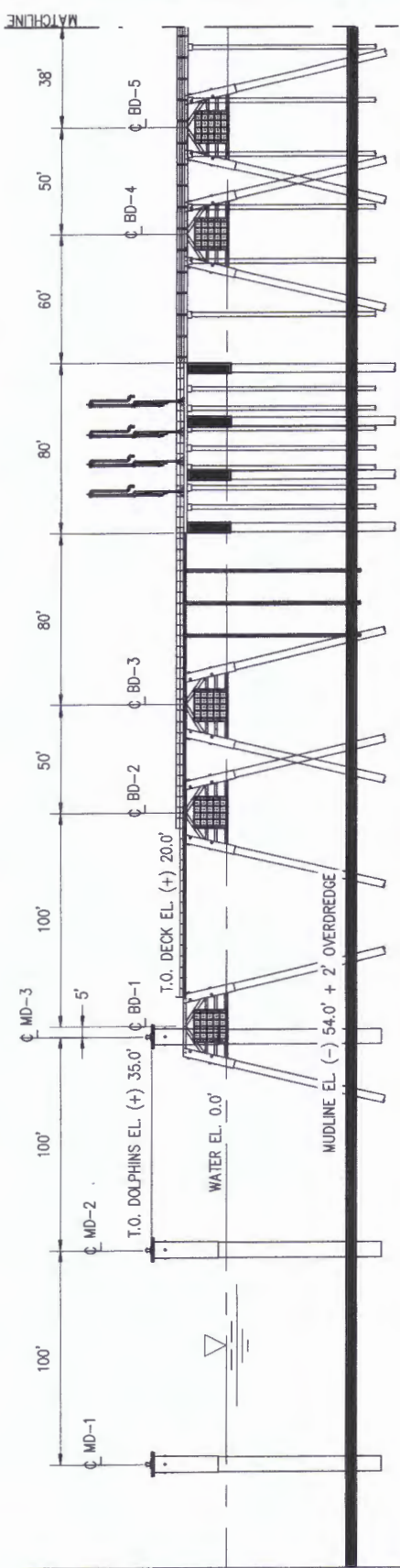
MODA MIDSTREAM, LLC.

INGLESIDE TEXAS

MODA INGLESIDE ENERGY CENTER
BERTH 7/8/9 EXPANSION
BERTH 8/9 SECTION

DATE	SEPT. 2019
DESIGN	ARF
DRAWN	MEW
CHECK	JEJ
JOB NO.	10870
SHEET No.	11 OF 23

J:\100005\10870 MODA GOMEZ INGLESIDE\DRAWINGS\PERMIT\BERTH 7-8-9 PERMIT\10870-P11.DWG



BERTH 8 ELEVATION - BERTH 9 (SIMILAR)

SCALE: 1" = 200'



Applicant: Moda
 Ingleside Oil
 Terminal, LLC
 Agent: Belaire
 Environmental, Inc

PRELIMINARY - FOR PERMIT PURPOSES ONLY

Albert R. Favolora, III P.E.
 TX P.E. Number 131433

LANIER & ASSOCIATES
 CONSULTING ENGINEERS
 INCORPORATED

LA: C-1120 TX: F-2981
 NEW ORLEANS, LA • BEAUMONT, TX

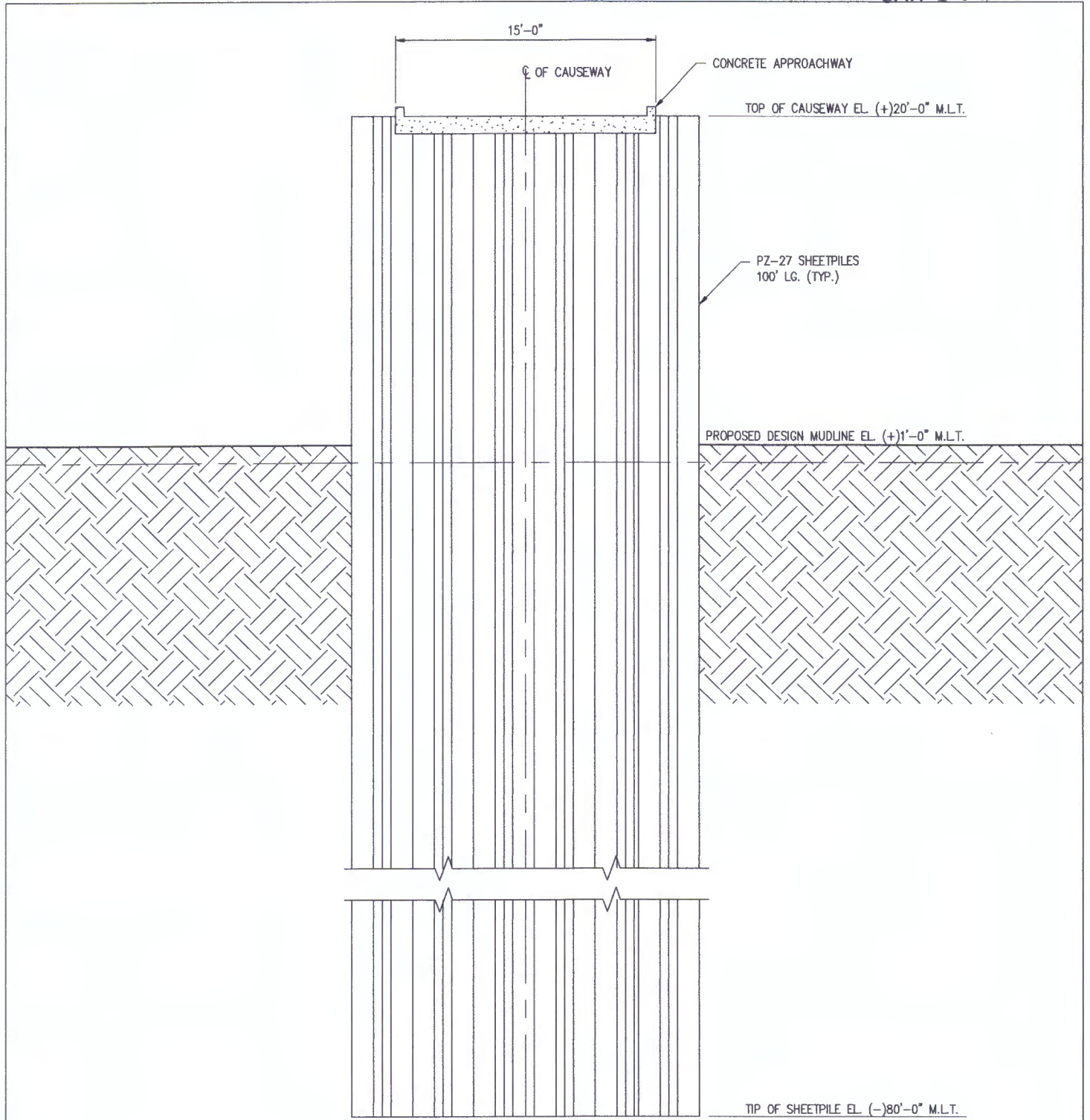
INGLESIDE MODA MIDSTREAM, LLC. TEXAS

MODA INGLESIDE ENERGY CENTER
BERTH 7/8/9 EXPANSION
BERTH 8/9 ELEVATION

DATE	SEPT. 2019
DESIGN	ARF
DRAWN	MEW
CHECK	JEJ
JOB NO.	10870
SHEET No.	12 OF 23

REV A

J:\100005\10870 MODA GOMEZ INGLESIDE DRAWINGS\PERMIT\BERTH 7-8-9 PERMIT\10870-P12.DWG



CAUSEWAY SECTION

SCALE: 1/8" = 1'-0"



Applicant: **Moda Ingleside Oil Terminal, LLC**
 Agent: **Belaire Environmental, Inc**

Albert R. Favolora, III P.E.
 TX P.E. Number 131433

PRELIMINARY - FOR PERMIT PURPOSES ONLY

REV A



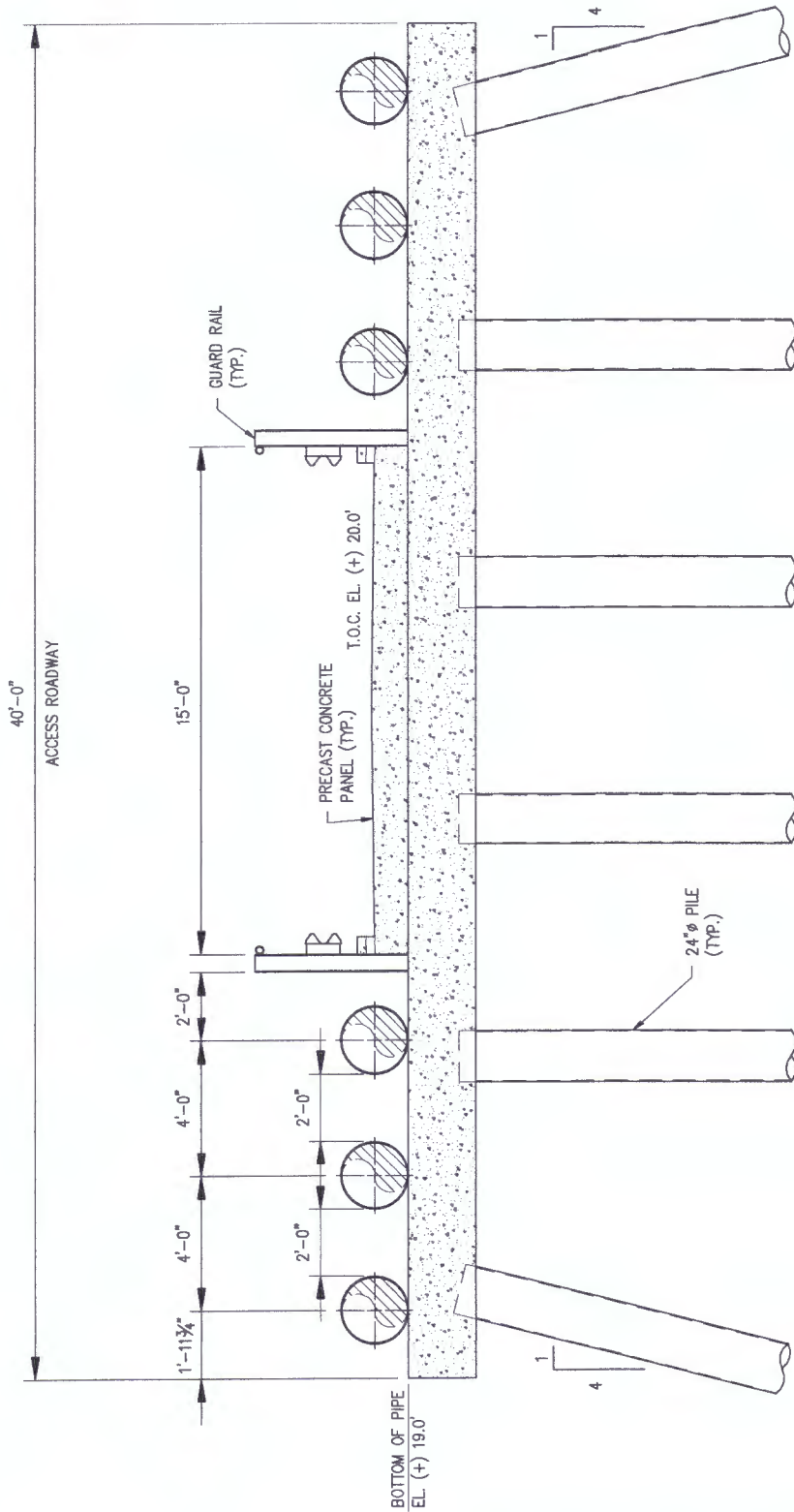
LANIER & ASSOCIATES
 CONSULTING ENGINEERS
 INCORPORATED

LA: C-1120 TX: F-2981
 NEW ORLEANS, LA • BEAUMONT, TX

MODA MIDSTREAM, LLC.
 INGLESIDE TEXAS

MODA INGLESIDE ENERGY CENTER
BERTH 7/8/9 EXPANSION
BERTH 8/9 SECTION

DATE SEPT. 2019
 DESIGN ARF
 DRAWN MEW
 CHECK JEJ
 JOB NO. 10870
 SHEET No.
 13 OF 23



B 10

APPROACHWAY SECTION

SCALE: 1/4" = 1'-0"



Applicant: Moda Ingleside Oil Terminal, LLC
 Agent: Belaire Environmental, Inc

Albert R. Favalora, III P.E.
 TX P.E. Number 131433

PRELIMINARY - FOR PERMIT PURPOSES ONLY

REV A



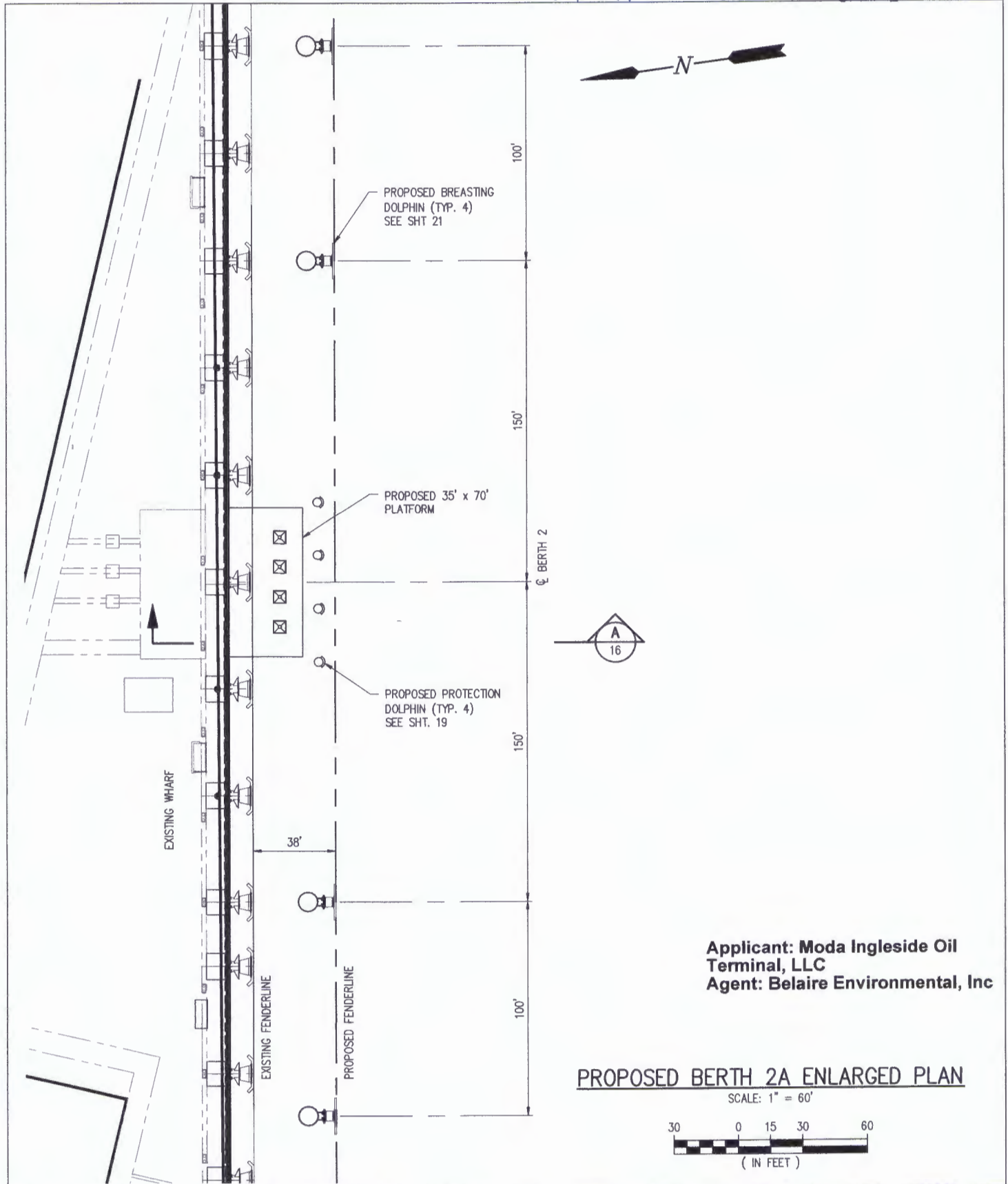
LANIER & ASSOCIATES
 CONSULTING ENGINEERS
 INCORPORATED

LA: C-1120 TX: F-2981
 NEW ORLEANS, LA • BEAUMONT, TX

INGLESIDE MODA MIDSTREAM, LLC. TEXAS

MODA INGLESIDE ENERGY CENTER
BERTH 7/8/9 EXPANSION
BERTH 8/9 APPROACH SECTION

DATE SEPT. 2019
 DESIGN ARF
 DRAWN MEW
 CHECK JEJ
 JOB NO 10870
 SHEET No. 14 OF 23



Applicant: Moda Ingleside Oil Terminal, LLC
 Agent: Belaire Environmental, Inc

PROPOSED BERTH 2A ENLARGED PLAN

SCALE: 1" = 60'



Albert R. Favolora, III P.E.
 TX P.E. Number 131433

PRELIMINARY - FOR PERMIT PURPOSES ONLY

REV
 A



LANIER & ASSOCIATES
 CONSULTING ENGINEERS
 INCORPORATED

LA: C-1120 TX: F-2981
 NEW ORLEANS, LA • BEAUMONT, TX

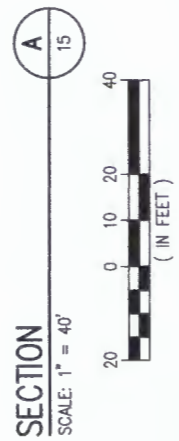
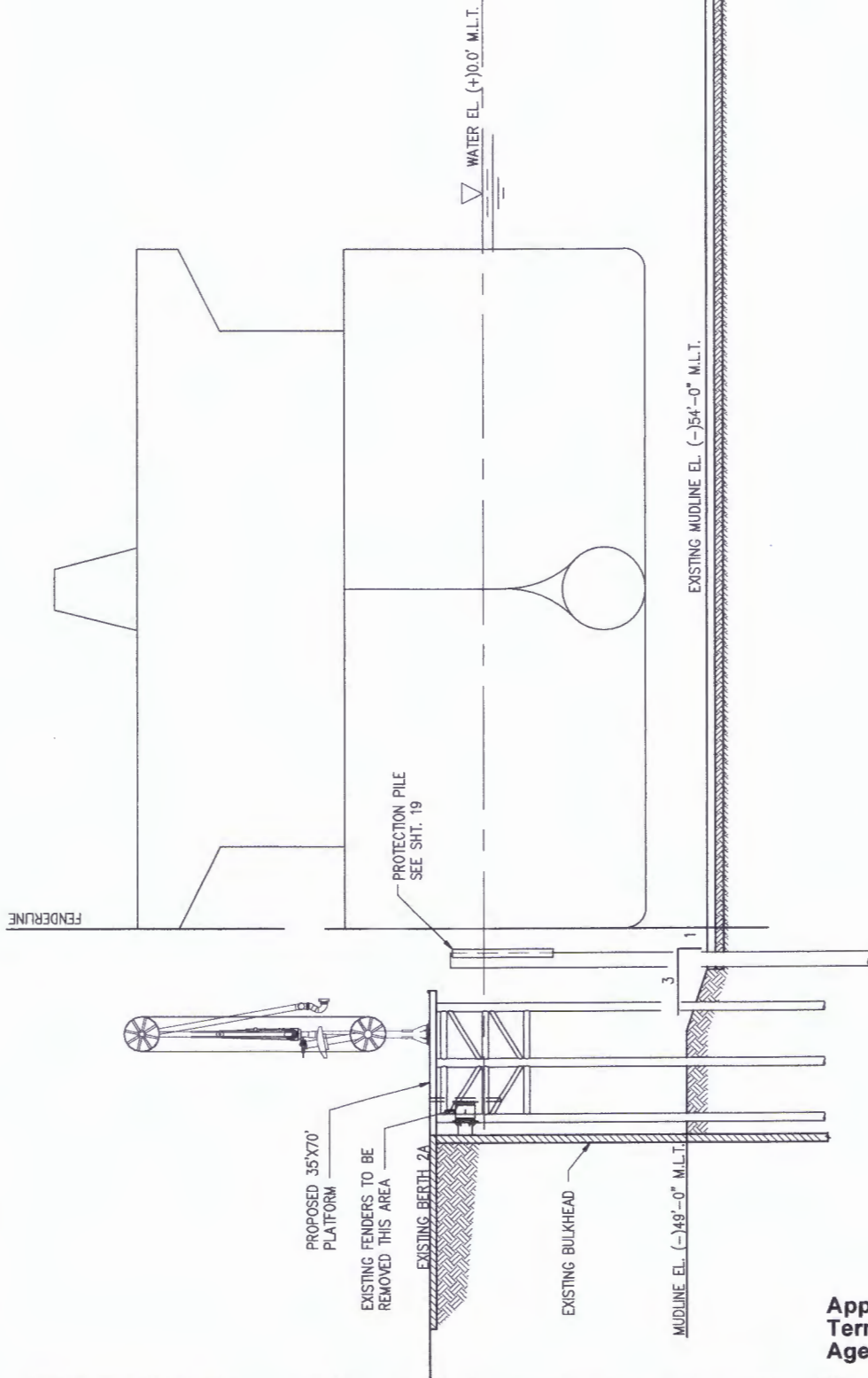
MODA MIDSTREAM, LLC.

INGLESIDE

TEXAS

MODA INGLESIDE ENERGY CENTER
BERTHS 7/8/9
PROPOSED BERTH 2A ENLARGED PLAN

DATE SEPT. 2019
 DESIGN ARF
 DRAWN MEW
 CHECK JEJ
 JOB NO 10870
 SHEET No.
 15 OF 23



Applicant: Moda Ingleside Oil Terminal, LLC
Agent: Belaire Environmental, Inc

Albert R. Favolora, III P.E.
TX P.E. Number 131433

PRELIMINARY - FOR PERMIT PURPOSES ONLY

REV
A



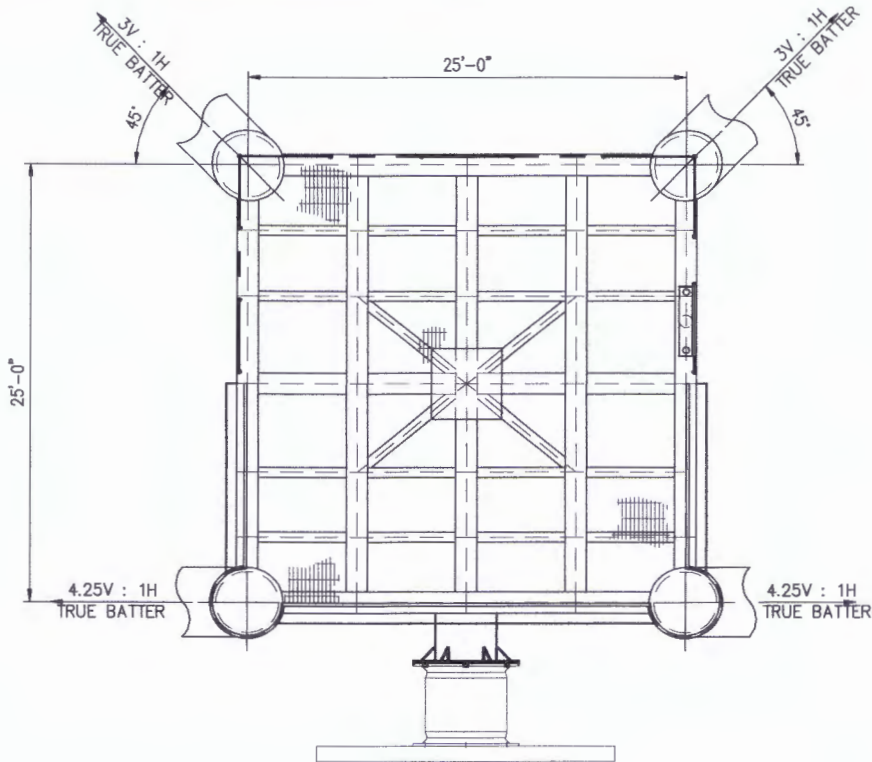
LANIER & ASSOCIATES
CONSULTING ENGINEERS
INCORPORATED

LA: C-1120 TX: F-2981
NEW ORLEANS, LA • BEAUMONT, TX

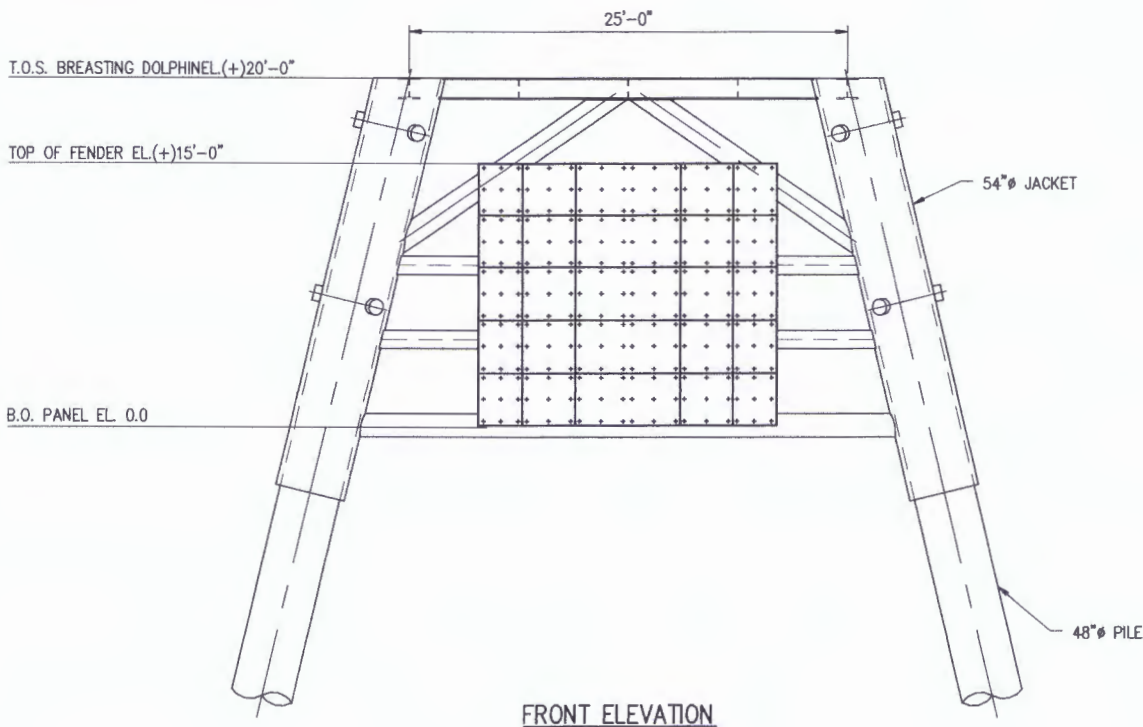
INGLESIDE **MODA MIDSTREAM, LLC.** TEXAS

MODA INGLESIDE ENERGY CENTER
BERTH 7/8/9 EXPANSION
BERTH 2A SECTION

DATE SEPT. 2019
DESIGN ARF
DRAWN MEW
CHECK JEJ
JOB NO 10870
SHEET No.
16 OF 23



PLAN



FRONT ELEVATION



Applicant: **Moda Ingleside Oil Terminal, LLC**
 Agent: **Belaire Environmental, Inc**

BREASTING DOLPHINS
 SCALE: 3/32" = 1'-0"

Albert R. Favolora, III P.E.
 TX P.E. Number 131433

PRELIMINARY - FOR PERMIT PURPOSES ONLY

REV
A



LANIER & ASSOCIATES
 CONSULTING ENGINEERS
 INCORPORATED

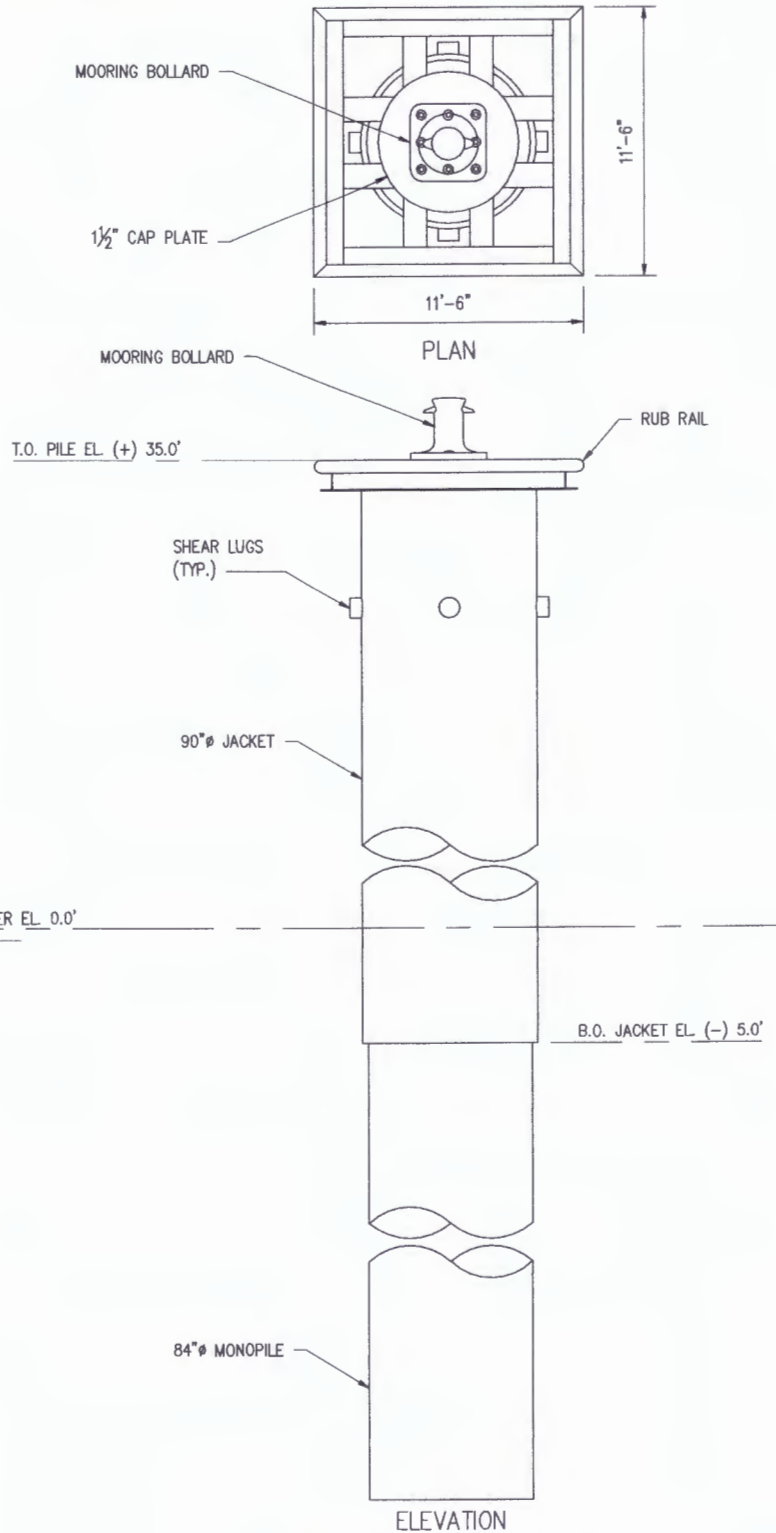
LA: C-1120 TX: F-2981
 NEW ORLEANS, LA • BEAUMONT, TX

INGLESIDE **MODA MIDSTREAM, LLC.** TEXAS

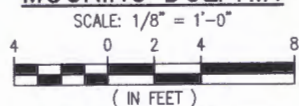
MODA INGLESIDE ENERGY CENTER
BERTH 7/8/9 EXPANSION
BREASTING DOLPHINS

DATE SEPT. 2019
 DESIGN ARF
 DRAWN MEW
 CHECK JEJ
 JOB NO 10870
 SHEET No. 17 OF 23

J:\1000S\10870 MODA GOMEZ INGLESIDE\DRAWINGS\PERMIT\BERTH 7-8-9 PERMIT\10870-P17.DWG



MOORING DOLPHIN



Applicant: Moda Ingleside Oil Terminal, LLC
Agent: Belaire Environmental, Inc

Albert R. Favalora, III P.E.
 TX P.E. Number 131433

PRELIMINARY - FOR PERMIT PURPOSES ONLY

REV
A



LANIER & ASSOCIATES
 CONSULTING ENGINEERS
 INCORPORATED

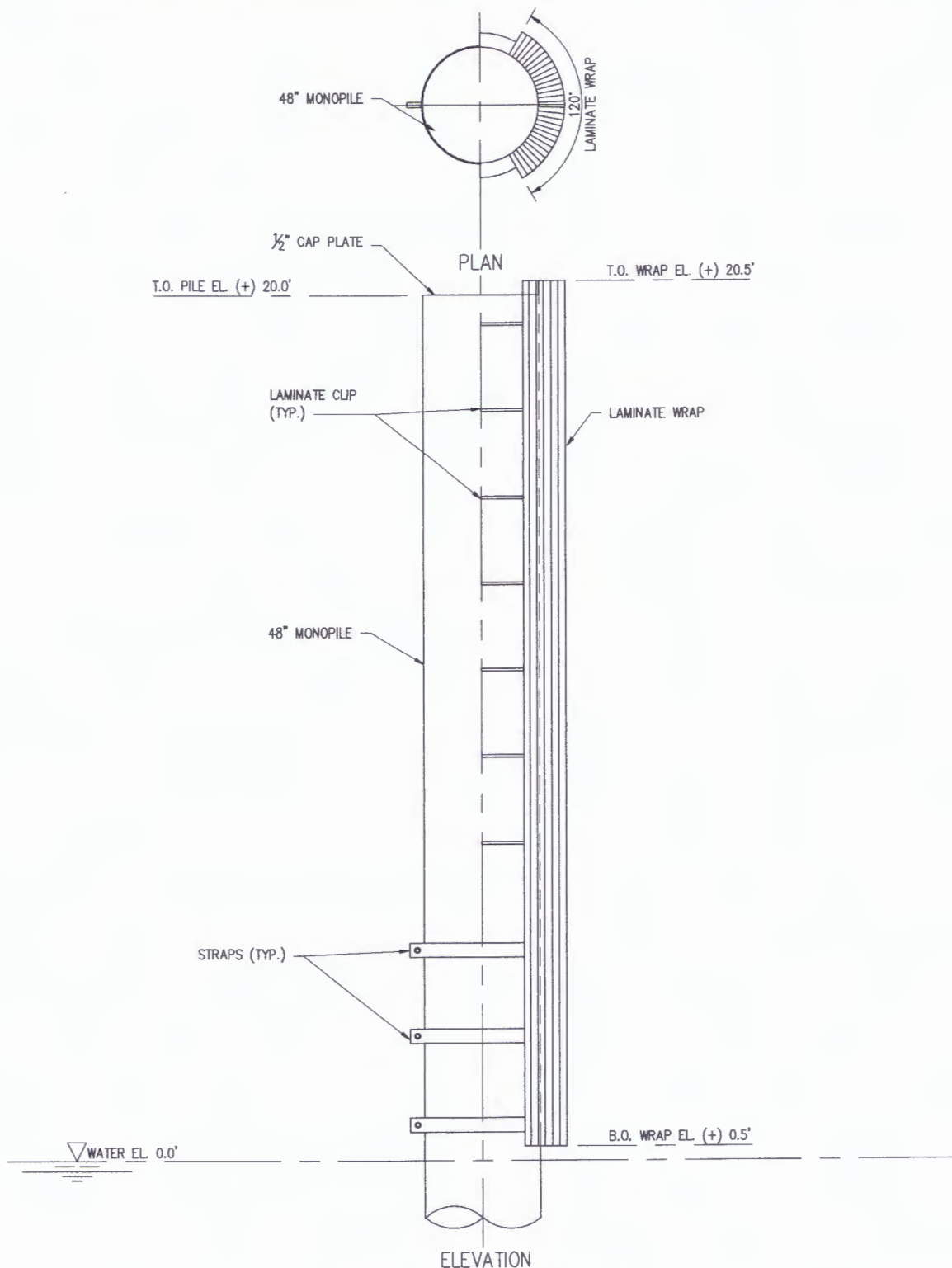
LA: C-1120 TX: F-2981
 NEW ORLEANS, LA • BEAUMONT, TX

INGLESIDE **MODA MIDSTREAM, LLC.** TEXAS

MODA INGLESIDE ENERGY CENTER
BERTH 7/8/9 EXPANSION
MOORING DOLPHIN

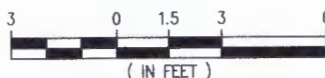
DATE SEPT. 2019
 DESIGN ARF
 DRAWN MEW
 CHECK JEJ
 JOB NO 10870
 SHEET No.
18 OF 23

J:\10000S\10870 MODA GOMEZ INGLESIDE\DRAWINGS\PERMIT\BERTH 7-8-9 PERMIT\10870-P18.DWG



48"Ø PROTECTION DOLPHIN

SCALE: 3/16" = 1'-0"



Applicant: **Moda Ingleside Oil Terminal, LLC**
 Agent: **Belaire Environmental, Inc**

Albert R. Favalora, III P.E.
 TX P.E. Number 131433

PRELIMINARY - FOR PERMIT PURPOSES ONLY

REV
A



LANIER & ASSOCIATES
 CONSULTING ENGINEERS
 INCORPORATED

LA: C-1120 TX: F-2981
 NEW ORLEANS, LA • BEAUMONT, TX

MODA MIDSTREAM, LLC.

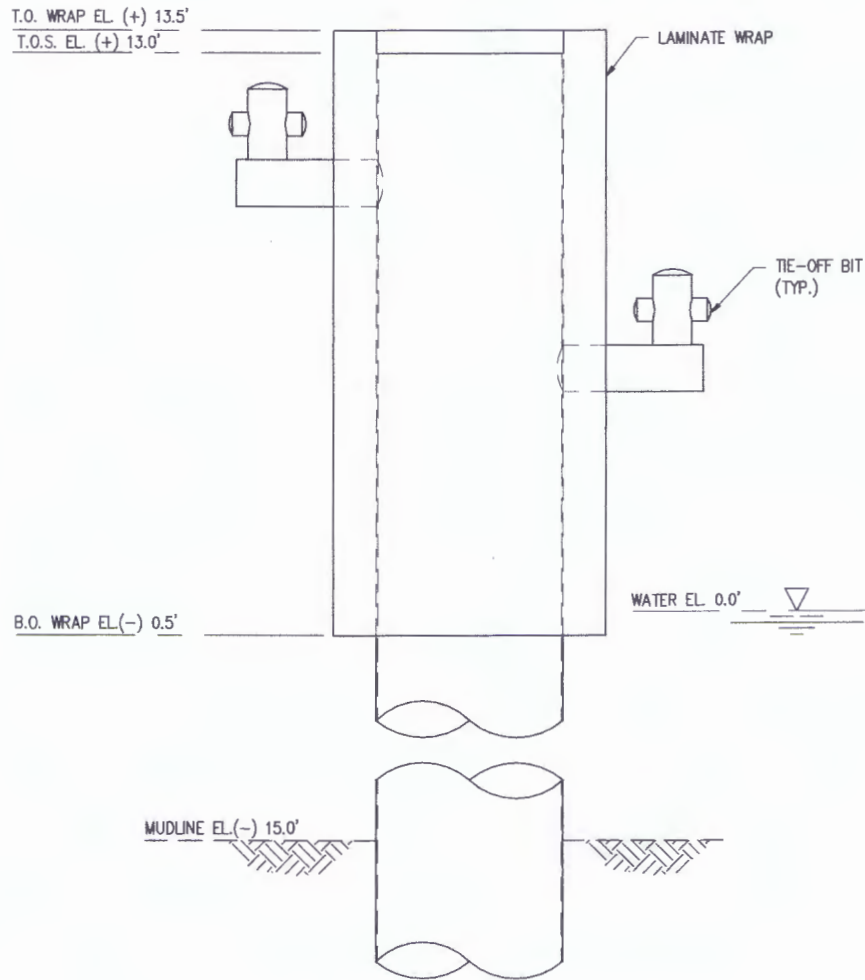
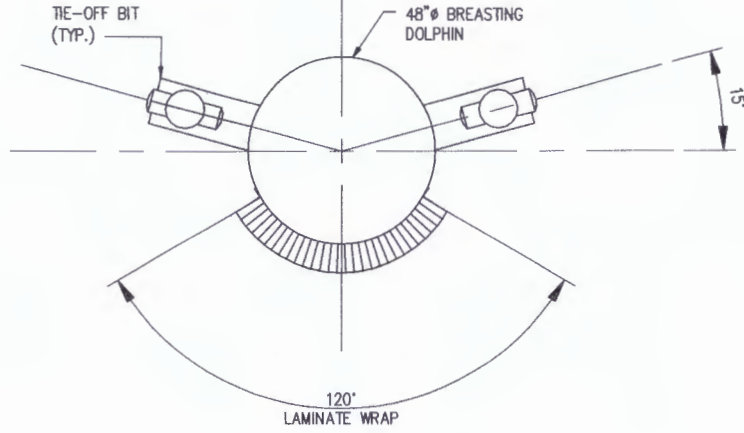
INGLESIDE

TEXAS

**MODA INGLESIDE ENERGY CENTER
 BERTH 7/8/9 EXPANSION
 48"Ø PROTECTION DOLPHIN**

DATE SEPT. 2019
 DESIGN ARF
 DRAWN MEW
 CHECK JEJ
 JOB NO. 10870
 SHEET No.
19 OF 23

J:\100005\10870 MODA GOMEZ INGLESIDE\DRAWINGS\PERMIT\BERTH 7-8-9 PERMIT\10870-P19.DWG



BARGE DOCK BREASTING DOLPHIN

SCALE: 1/4" = 1'-0"



Aplicant: **Moda Ingleside Oil Terminal, LLC**
 Agent: **Belaire Environmental, Inc**

J:\100005\10870 MODA GOMEZ INGLESIDE DRAWINGS\PERMIT\BERTH 7-8-9 PERMIT\10870-P20.DWG

Albert R. Favolora, III P.E.
 TX P.E. Number 131433

PRELIMINARY - FOR PERMIT PURPOSES ONLY

REV A



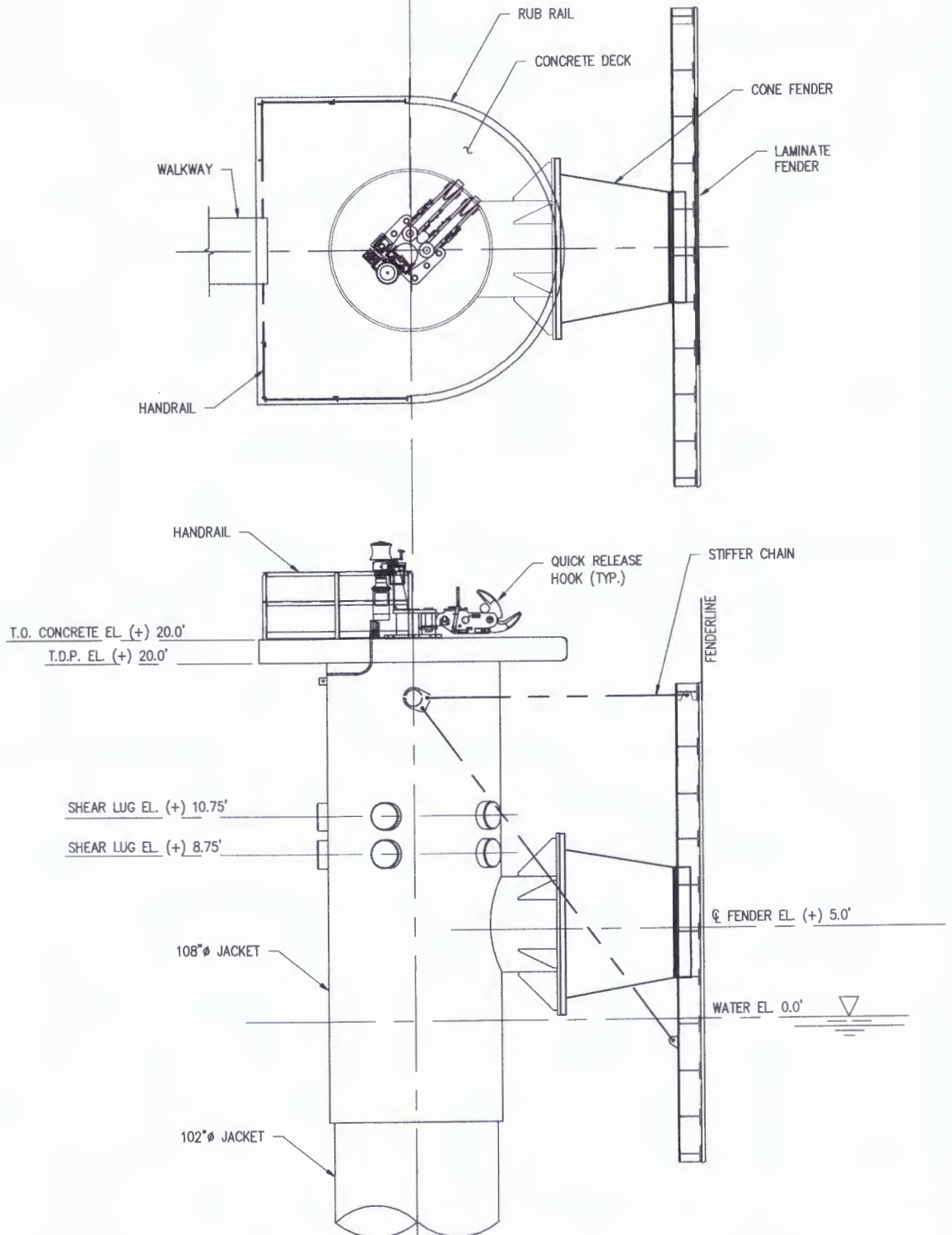
LANIER & ASSOCIATES
 CONSULTING ENGINEERS
 INCORPORATED

LA: C-1120 TX: F-2981
 NEW ORLEANS, LA • BEAUMONT, TX

INGLESIDE **MODA MIDSTREAM, LLC.** TEXAS

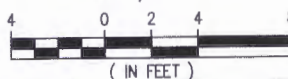
MODA INGLESIDE ENERGY CENTER
BERTH 7/8/9 EXPANSION
BARGE DOCK BREASTING DOLPHINS

DATE SEPT. 2019
 DESIGN ARF
 DRAWN MEW
 CHECK JEJ
 JOB NO 10870
 SHEET No. 20 OF 23



SHIP DOCK BREASTING DOLPHIN

SCALE: 1/8" = 1'-0"



Applicant: Moda Ingleside Oil Terminal, LLC
Agent: Belaire Environmental, Inc

Albert R. Favolora, III P.E.
 TX P.E. Number 131433

PRELIMINARY - FOR PERMIT PURPOSES ONLY

REV
A



LANIER & ASSOCIATES
 CONSULTING ENGINEERS
 INCORPORATED

LA: C-1120 TX: F-2981
 NEW ORLEANS, LA • BEAUMONT, TX

MODA MIDSTREAM, LLC.

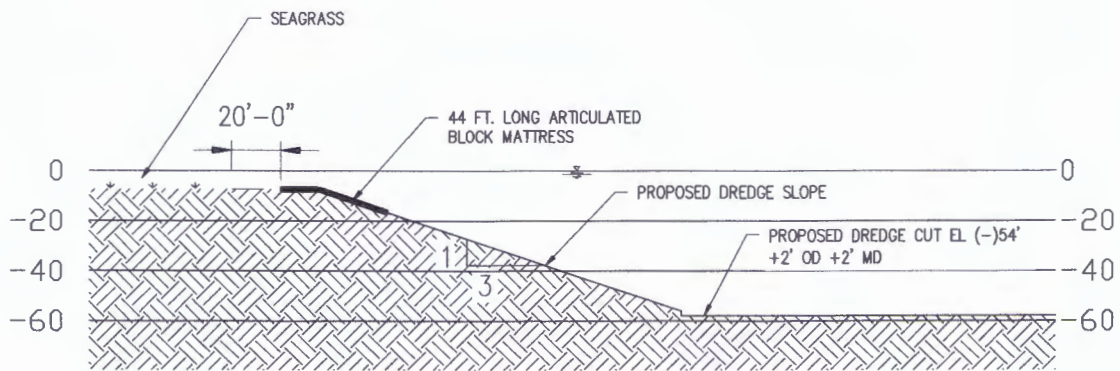
INGLESIDE

TEXAS

MODA INGLESIDE ENERGY CENTER
BERTH 7/8/9 EXPANSION
BERTH 2A BREASTING DOLPHIN

DATE SEPT. 2019
 DESIGN ARF
 DRAWN MEW
 CHECK JEJ
 JOB NO 10870
 SHEET No.
 21 OF 23

J:\1000S\10870 MODA GOMEZ INGLESIDE\DRAWINGS\PERMIT\BERTH 7-8-9 PERMIT\10870-P21.DWG



PROPOSED SLOPE STABILIZATION

SCALE: 1" = 75'

Applicant: Moda Ingleside Oil Terminal, LLC
Agent: Belaire Environmental, Inc

Albert R. Favolora, III P.E.
TX P.E. Number 131433

PRELIMINARY - FOR PERMIT PURPOSES ONLY

REV
A



LANIER & ASSOCIATES
CONSULTING ENGINEERS
INCORPORATED

LA: C-1120 TX: F-2981
NEW ORLEANS, LA • BEAUMONT, TX

MODA MIDSTREAM, LLC.
INGLESIDE TEXAS

MODA INGLESIDE ENERGY CENTER
BERTHS 7/8/9
PROPOSED SLOPE STABILIZATION

DATE SEPT. 2019
DESIGN ARF
DRAWN MEW
CHECK JEJ
JOB NO 10870
SHEET No.
22 OF 23



DREDGE MATERIAL PLACEMENT AREA

SCALE IN MILES



Applicant: Moda Ingleside Oil Terminal, LLC
 Agent: Belaire Environmental, Inc

Albert R. Favolora, III P.E.
 TX P.E. Number 131433

PRELIMINARY - FOR PERMIT PURPOSES ONLY

REV
 A

LANIER & ASSOCIATES
 CONSULTING ENGINEERS
 INCORPORATED

LA: C-1120 TX: F-2981
 NEW ORLEANS, LA • BEAUMONT, TX

INGLESIDE MODA MIDSTREAM, LLC. TEXAS

**MODA INGLESIDE ENERGY CENTER
 BERTH 7/8/9 EXPANSION
 DREDGE PLACEMENT AREA**

DATE	SEPT. 2019
DESIGN	ARF
DRAWN	MEW
CHECK	JEJ
JOB NO	10870
SHEET No.	23 OF 23

J:\100005\10870 MODA GOMEZ INGLESIDE\DRAWINGS\PERMIT\BERTH 7-8-9 PERMIT\10870-P23.DWG